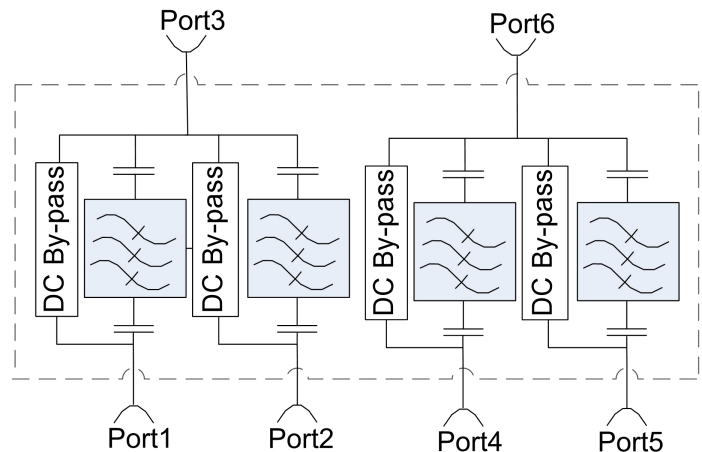
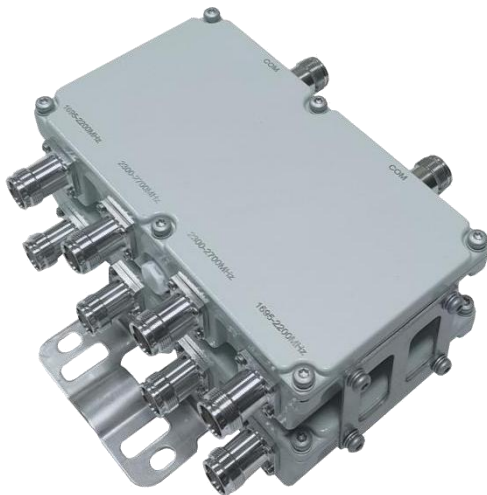


1695-2200&2300-2700MHz Diplexer

Specifications :

Part No.	HT-DIP-1627-4310F	
Port	Port 1&5	Port 2&4
Frequency range	1695-2200MHz	2300-2700MHz
Insertion loss	≤0.3dB	
Isolation	≥50dB	
Return loss/VSWR	≤-18dB/1.3	
IMD	≤-161dBc(with 2×20W)	
Impedance	50Ω	
Input power	200W	
DC/AISG	By-pass(max.3000mA)	
Lightning protection	10KA; 10/350μs pulse	
Operation temperature	-20°C to +65°C	
Waterproofing grade	Indoor or outdoor (IP67)	
Color	409C Grey	
Dimensions	210*116*45mm	
RF Connectors	4.3-10 Female	
HT Part cord	9508021150	

Schematic Diagram:



Outline Drawing :

