

TETRA&CDMA&GSM+DCS+3G+LTE Triplexer

Product features

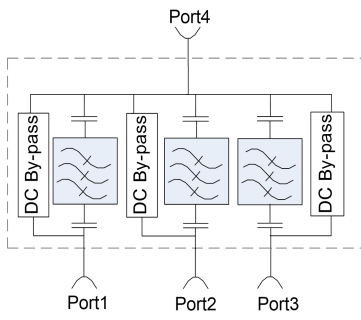
- 60 dB input isolation
- Very low insertion loss
- Excellent intermodulation performance
- Wall or mast mounting

Specifications

Part No.	HT-CM-3IN1OUT-43			
Electrical				
Frequency range (MHz)	Port 1	Port 2	Port 3	
	380-490	698-870	880-960	1710-2690
Center Frequency(MHz)	435	783.5	920	2200
Band Width(MHz)	110	172	80	980
Insertion loss(typ.)	≤0.8dB	≤1.2dB	≤1.0dB	≤0.5dB
Insertion loss(Max.)	≤1.0dB	≤1.4dB	≤1.2dB	≤0.6dB
Pass Band Ripple(typ.)	≤0.8dB	≤1.2dB	≤1.0dB	≤0.5dB
Pass Band Ripple(Max.)	≤1.0dB	≤1.4dB	≤1.2dB	≤0.6dB
Return loss/VSWR	≥20dB	≥20dB	≥20dB	≥20dB
Rejection(dB)	≥60dB@P1<->P2<->P3			
Intermodulation (dBc)	≤-155 (with 2×20W)			
Impedance (Ω)	50 Ω			
Input power (W)	≤100 W(avg.)			
Environmental				
Operation temperature	-40°C to +65 °C			
Storage temperature	-50 °C to +85 °C			
Relative humidity	5% - 95%			
Application	Indoor or outdoor (IP66)			
Mechanical				
Connectors	4.3-10 Female			
Dimension(mm)	310.9x224x55			

Item	Specifications	QTY
Brackets	110*65*15MM	2
Screws	M5*8	4
Clamp	64-144mm	2

Schematic diagram



Outline drawing

